



## **BALL VALVE**

Proudly Manufactured in South Africa

- LVSA floating ball valves reduce bore one piece design and full bore two piece design.
- It is available with different design features, different materials for body & seat as per pressure, temperature and media.



Technical specification	
Pressure temperature rating	ASME B16.34 cl 150 & cl 300
Design standard	API 6D
Max pressure	20 barg (cl 150) & 50 barg (cl 300)
Max temperature	-50°C to 200°C (-58°F to 392°F)
Face to face	ASME B16.10
End connection	ASME B16.5
Pressure testing	API 598
Fire test	API 607
Marking	MSS SP 25
Surface finish	MSS SP 55
Special requirements	Low fugitive emission ISO 15848, NACE MR-01-75

Product range :

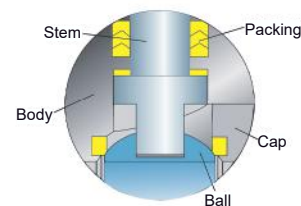
Design	Class	Size										
		1/2"	3/4"	1"	1 1/2"	2"	2 1/2"	3"	4"	6"	8"	10"
RB 1 pc design	150	•	•	•	•	•	•	•	•	•	•	•
	300	•	•	•	•	•	•	•	•	•	N/A	N/A
FB 2 pc design	150	•	•	•	•	•	•	•	•	•	•	•
	300	•	•	•	•	•	•	•	•	•	N/A	N/A



## Design features :

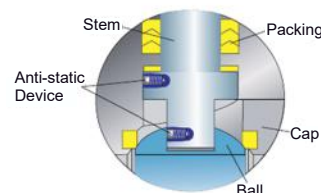
### Blow-out proof stem

- The lower end of the stem is T-shaped, protected by boss of body, which assures stem retention at any pressure and acts as backseat.



### Anti-static device

- A spring loaded ball is fitted on stem which keeps constant contact between ball, stem and body to create an electric part to transfer charges, avoiding acceleration of static electricity as a result of friction during valve on-off operation.



### Locking device

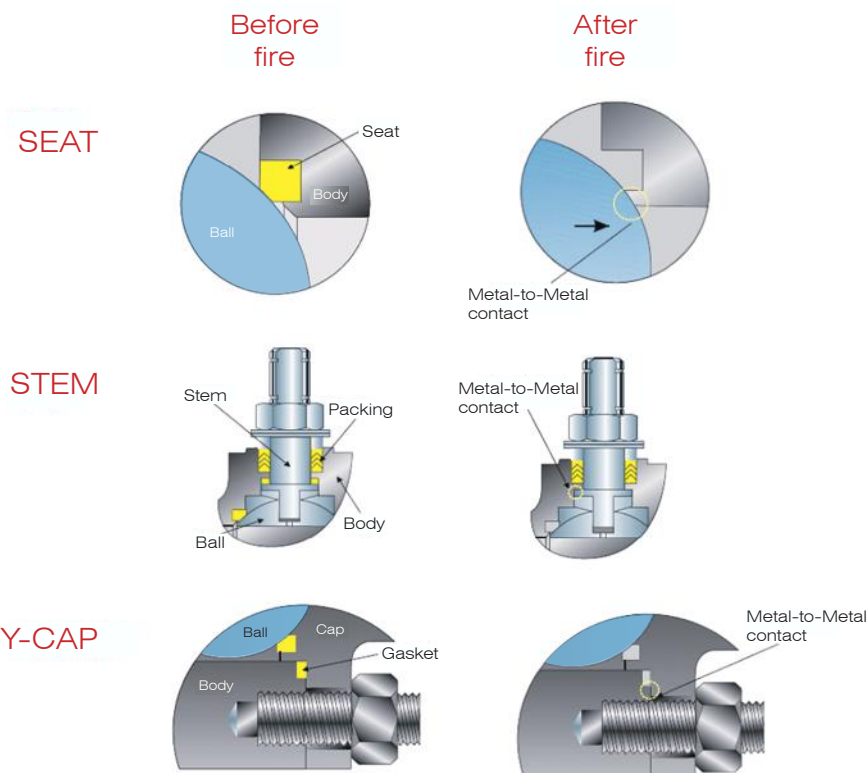
- Facility for mounting a locking device for prevention of accidental valve operation is provided.

### ISO 5211 Actuator mounting pad

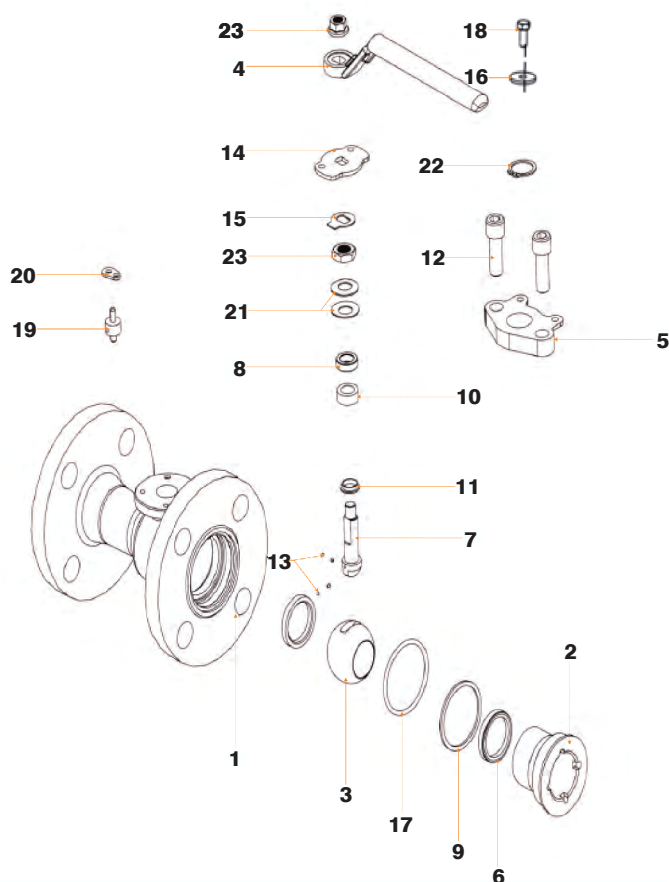
- Integral actuator mounting pad provided, designed according to ISO 5211

### Fire safe design

- When soft seats are decomposed or ruined by fire, the ball driven by the pressure comes into contact with the metal seat, creating a metal to metal sealing to shut off service fluids and minimize internal leakage.

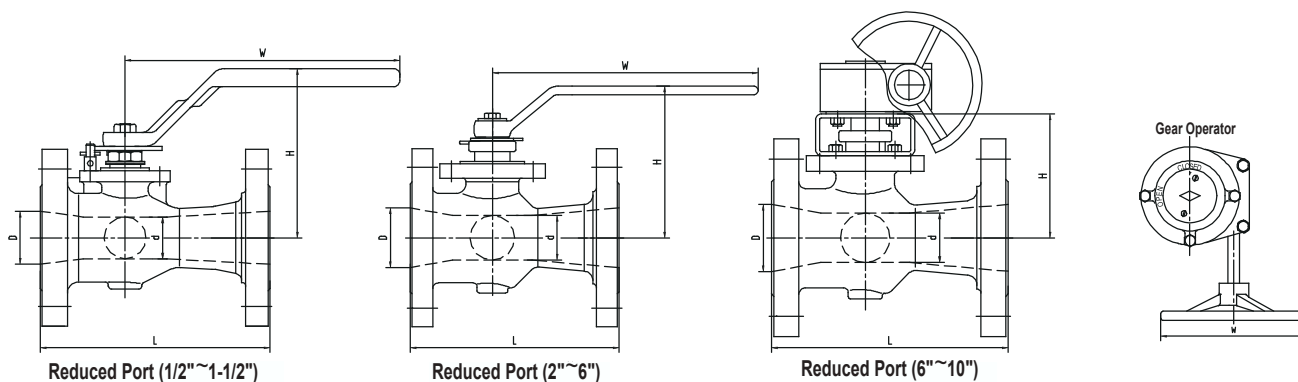


Single piece reduce bore floating ball valve :



SI no	Part	Carbon steel (non-sour service)	Stainless steel	Carbon steel (sour service)	Low temperature carbon steel
1	Body	ASTM A216 Gr. WCB	ASTM A351 Gr. CF8M	ASTM A216 Gr. WCB	ASTM A352 Gr. LCB
2	Body insert	ASTM A216 Gr. WCB	ASTM A351 Gr. CF8M	ASTM A216 Gr. WCB	ASTM A352 Gr. LCB
3	Ball	ASTM A182 Gr. F6a	ASTM A182 Gr. F316	ASTM A182 Gr. F6a	ASTM A182 Gr. F316
4	Handle	Carbon steel	Carbon steel	Carbon steel	Carbon steel
5	Gland flange	ASTM A216 Gr. WCB	ASTM A351 Gr. CF8	ASTM A216 Gr. WCB	ASTM A352 Gr. LCB
6	Seat	PTFE	PTFE	PTFE	PTFE
7	Stem	ASTM A182 Gr. F6a	ASTM A182 Gr. F316	ASTM A182 Gr. F6a	ASTM A182 Gr. F316
8	Gland	ASTM A276 Gr. 304L	ASTM A276 Gr. 304L	ASTM A276 Gr. 304L	ASTM A276 Gr. 304L
9	Gasket	Flexible graphite	Flexible graphite	Flexible graphite	Flexible graphite
10	Packing	Graphite	Graphite	Graphite	Graphite
11	Thrust washer	PTFE	PTFE	PTFE	PTFE
12	Screw	ASTM A193 Gr. B7	ASTM A193 Gr. B8 cl2	ASTM A193 Gr. B7M	ASTM A320 Gr. L7M
13	Anti-static device	SS	SS	SS	SS
14	Stop plate	Carbon steel	SS	Carbon steel	Carbon steel
15	Retainer	SS	SS	SS	SS
16	Washer	Carbon steel	SS	Carbon steel	Carbon steel
17	O-ring (optional)	Viton A	Viton A	Viton A	HNBR
18	Bolt	Carbon steel	SS	Carbon steel	Carbon steel
19	Stop pin	Carbon steel	SS	Carbon steel	Carbon steel
20	Locking plate	Carbon steel	SS	Carbon steel	SS
21	Disc spring	Carbon steel	SS	Carbon steel	Carbon steel
22	Retainer	Carbon steel	SS	Carbon steel	Carbon steel
23	Nut	Carbon steel	SS	Carbon steel	Carbon steel





Dimension :

Class 150

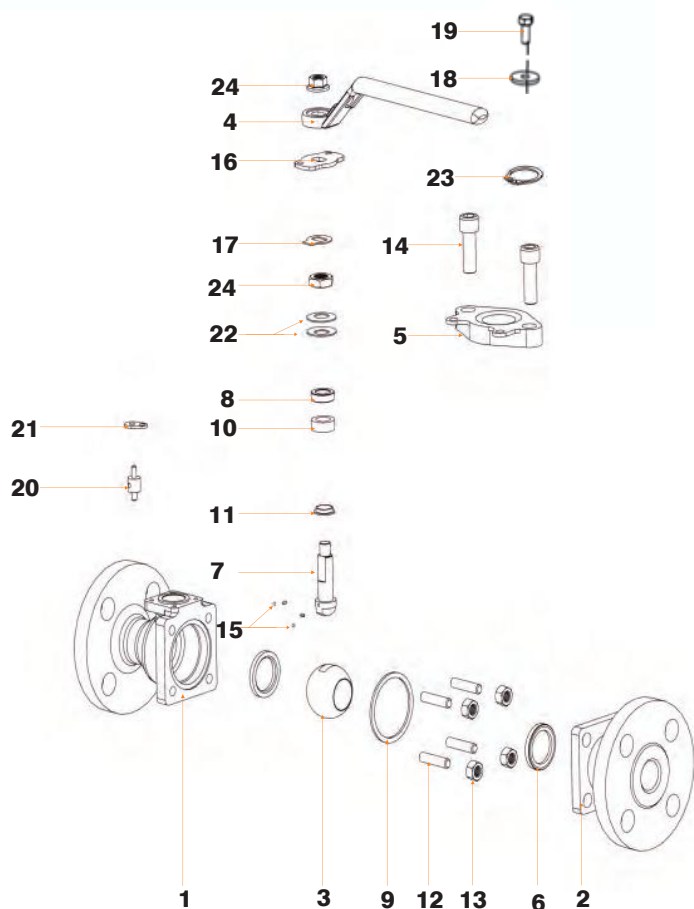
Size		d	D	L	H	W	Weight
NPS	DN						
1/2" x 3/8"	15 x 10	10	13	108	44.5	145	1.5
3/4" x 1/2"	20 x 15	13	19	117	53.5	165	2.5
1" x 3/4"	25 x 20	19	25	127	61.5	165	3
1 1/2" x 1"	40 x 25	30	38	165	80	215	5
2" x 1 1/2"	50 x 40	38	51	178	106	265	8.7
2 1/2" x 2"	65 x 50	51	64	191	120	265	12.4
3" x 2 1/2"	80 x 65	64	76	203	144	285	16.7
4" x 3"	100 x 80	76	102	229	166	300	24.4
6" x 4"	150 x 100	114	152	267	213	300	50
8" x 6"	200 x 150	152	203	292	526	400	101
10" x 8"	250 x 200	187	254	330	550	400	150

Class 300

Size		d	D	L	H	W	Weight
NPS	DN						
1/2" x 3/8"	15 x 10	10	13	140	44.5	145	2.8
3/4" x 1/2"	20 x 15	13	19	152	53.5	165	3.6
1" x 3/4"	25 x 20	19	25	165	61.5	165	48
1 1/2" x 1"	40 x 25	30	38	190	80	215	9.6
2" x 1 1/2"	50 x 40	38	51	216	106	265	11
2 1/2" x 2"	65 x 50	51	64	241	120	265	15.1
3" x 2 1/2"	80 x 65	64	76	283	144	285	22.5
4" x 3"	100 x 80	76	102	305	166	300	37
6" x 4"	150 x 100	114	152	403	213	300	72.5
8" x 6"	200 x 150	144	203	419	526	400	125
10" x 8"	250 x 200	187	254	457	550	400	205

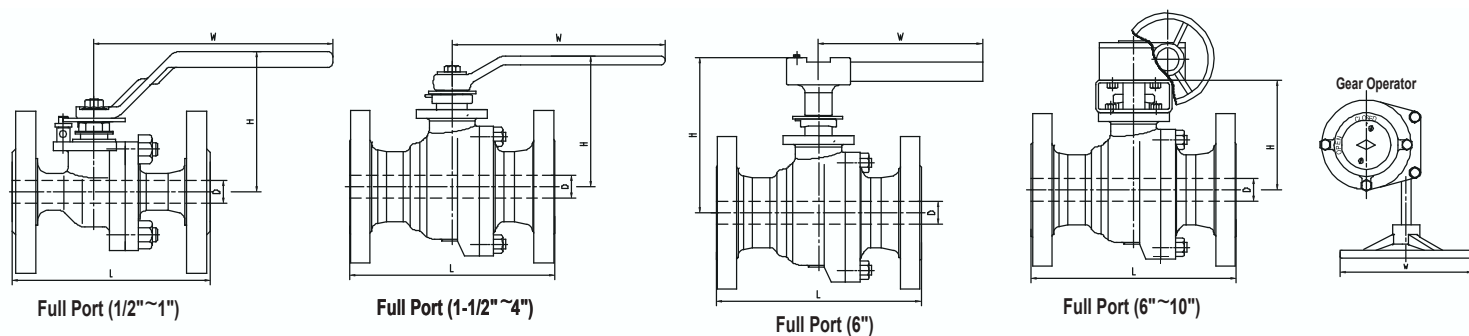


Two piece full bore floating ball valve :



SI no	Part	Carbon steel (non-sour service)	Stainless steel	Carbon steel (sour service)	Low temperature carbon steel
1	Body	ASTM A216 Gr. WCB	ASTM A351 Gr. CF8M	ASTM A216 Gr. WCB	ASTM A352 Gr. LCB
2	Body insert	ASTM A216 Gr. WCB	ASTM A351 Gr. CF8M	ASTM A216 Gr. WCB	ASTM A352 Gr. LCB
3	Ball	ASTM A182 Gr. F6a	ASTM A182 Gr. F316	ASTM A182 Gr. F6a	ASTM A182 Gr. F316
4	Handle	Carbon steel	Carbon steel	Carbon steel	Carbon steel
5	Gland flange	ASTM A216 Gr. WCB	ASTM A351 Gr. CF8	ASTM A216 Gr. WCB	ASTM A352 Gr. LCB
6	Seat	PTFE	PTFE	PTFE	PTFE
7	Stem	ASTM A182 Gr. F6a	ASTM A182 Gr. F316	ASTM A182 Gr. F6a	ASTM A182 Gr. F316
8	Gland	ASTM A276 Gr. 304L	ASTM A276 Gr. 304L	ASTM A276 Gr. 304L	ASTM A276 Gr. 304L
9	Gasket	Flexible graphite (upto 1"), SS316L+graphite (above 1")	Flexible graphite (upto 1"), SS316L+graphite (above 1")	Flexible graphite (upto 1"), SS316L+graphite (above 1")	Flexible graphite (upto 1"), SS316L+graphite (above 1")
10	Packing	Graphite	Graphite	Graphite	Graphite
11	Thrust washer	PTFE	PTFE	PTFE	PTFE
12	Stud	ASTM A193 Gr. B7	ASTM A193 Gr. B8 cl2	ASTM A193 Gr. B7M	ASTM A320 Gr. L7M
13	Nut	ASTM A194 Gr. 2H	ASTM A194 Gr. 8	ASTM A194 Gr. 2HM	ASTM A194 Gr. 7M
14	Screw	ASTM A193 Gr. B7	ASTM A193 Gr. B8 cl2	ASTM A193 Gr. B7M	ASTM A320 Gr. L7M
15	Anti-static device	SS	SS	SS	SS
16	Stop plate	Carbon steel	SS	Carbon steel	Carbon steel
17	Retainer	SS	SS	SS	SS
18	Washer	Carbon steel	SS	Carbon steel	Carbon steel
19	Bolt	Carbon steel	SS	Carbon steel	Carbon steel
20	Stop pin	Carbon steel	SS	Carbon steel	Carbon steel
21	Locking plate	SS	SS	SS	SS
22	Disc spring	Carbon steel	SS	Carbon steel	Carbon steel
23	Retainer	Carbon steel	SS	Carbon steel	Carbon steel
24	Nut	Carbon steel	SS	Carbon steel	Carbon steel





Dimension :

Class 150

Size		D	L	H	W	Weight
NPS	DN					
1/2"	15	13	108	85	165	1.8
3/4"	20	19	117	90	165	2
1"	25	25	127	108.5	215	3.6
1 1/2"	40	38	165	133	265	72
2"	50	51	178	149	265	11
2 1/2"	65	64	190	164.5	285	14
3"	80	76	203	183.5	300	22
4"	100	102	229	215	450	40
6"	150	152	394	287	400	108
8"	200	203	457	326	500	195
10"	250	254	533	368	500	312

Class 300

Size		D	L	H	W	Weight
NPS	DN					
1/2"	15	13	140	85	165	3
3/4"	20	19	152	90	165	4
1"	25	25	165	108.5	215	7
1 1/2"	40	38	190	133	265	14
2"	50	51	216	149	265	18
2 1/2"	65	64	241	164.5	285	29
3"	80	76	283	183.5	300	40
4"	100	102	305	273	815	74
6"	150	152	403	287	400	108
8"	200	203	502	336	500	195
10"	250	254	568	432	500	312





LVSA Valves - Johannesburg

46 Kindon Road, Robertsham, Johannesburg, South Africa, 2091.  
Telephone : +27 (0) 11 680 2005  
Fax: +27 (0) 11 680 2016  
Email : sales@lvsagroup.co.za

LVSA Valves - Durban

8 Uitsig Road, Astra Park, Kingsburgh, Durban, South Africa.  
Telephone : +27 (0) 31 914 1025  
Email : kznsales@lvsagroup.co.za

LVSA Valves - Cape Town

97 Neil Hare Rd, Atlantis Industrial, Cape Town, 7349, South Africa  
Telephone: +27 21 534 2451  
Email : ctsales@lvsagroup.co.za

LVSA Limitada - Mozambique

Avenida Unido Africana numero 759, armazém 7,  
Matola - Mozambique  
Telephone: +258 83 911 1111  
Email : info@lvsaco.mz

[www.lvsagroup.co.za](http://www.lvsagroup.co.za)