



## **PINCH VALVE**

---

Proudly Manufactured in South Africa

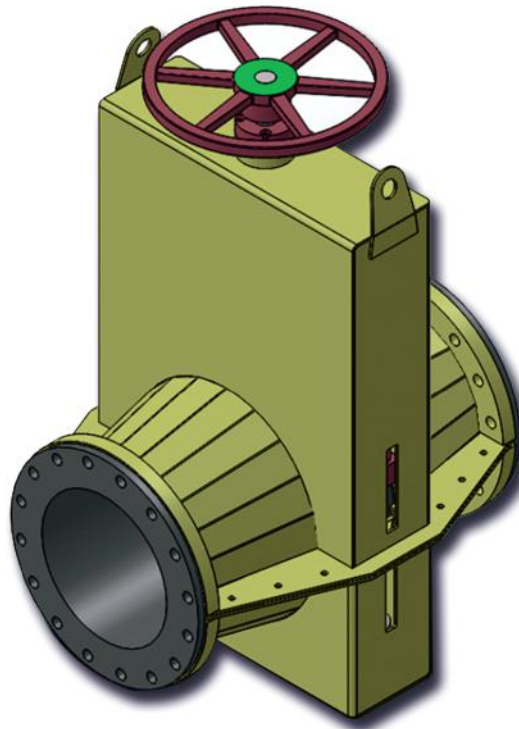


### Features :

- Valve provide complete isolation to all difficult media
- Full bore design
- Only sleeve is in contact with the medium
- Long lifetime
- Opening rags in the sleeve
- No jamming or clogging
- Trouble free operation
- Long service intervals
- Reduced cost of ownership

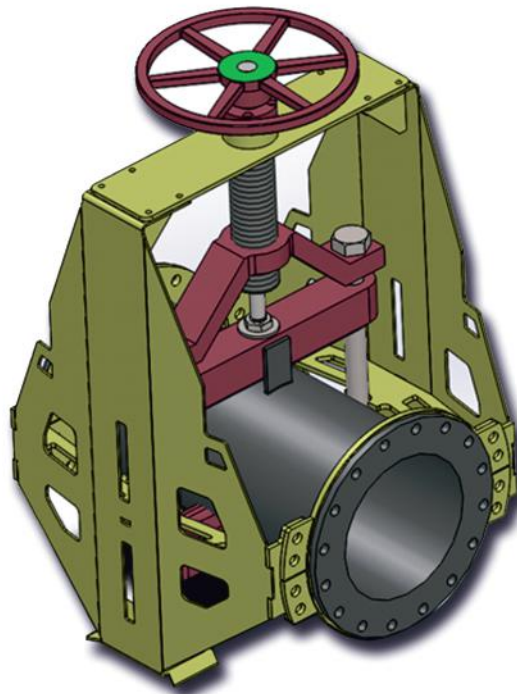
<b>Technical specification</b>	
Size	DN40 to DN700
Max pressure	10 bar (DN40 to DN150) & 6 bar (DN200 to DN700)
Max temperature	85°C
Applicable medium	Slurry, abrasive, dry & wet dust
Design & manufacture	Factory standard
Face to face	Factory standard
End flange	ASME B16.5 or as per customer requirement
Testing	API 598
Body material	Cast iron, Aluminum, Carbon steel
Sleeve material	Natural rubber, EPDM
Operator	Hand wheel, Pneumatic actuator, Electrical actuator





**Advantage:**

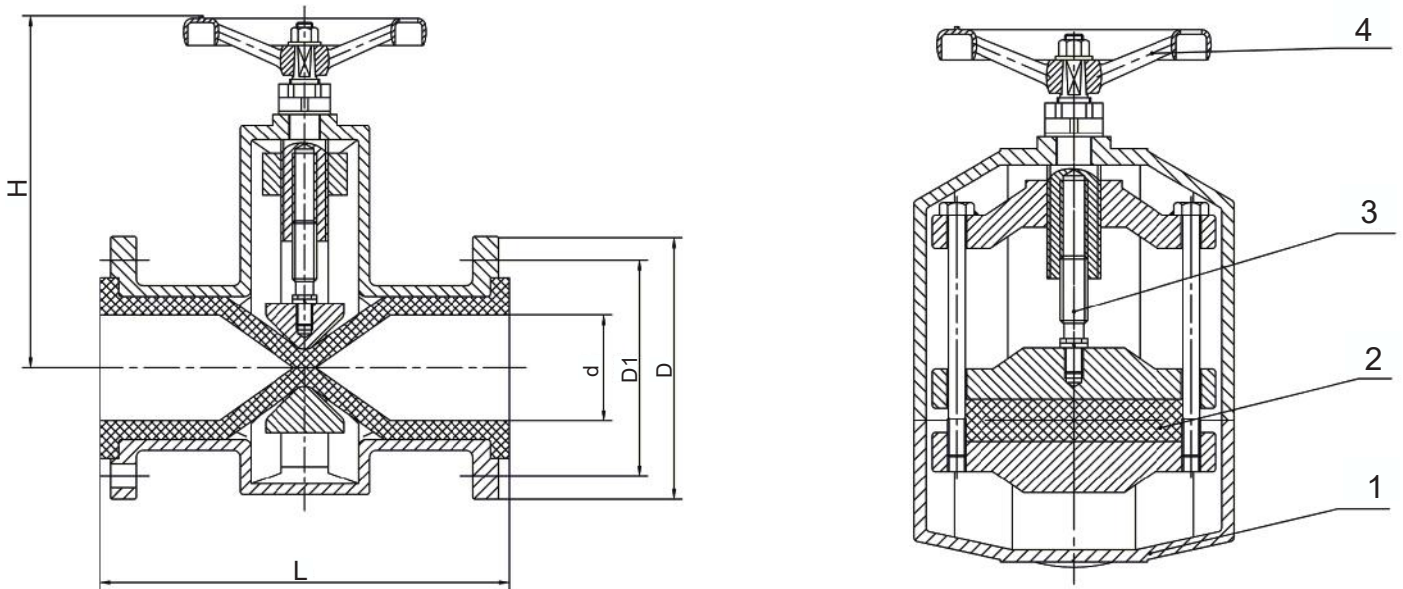
- Closed type pinch valve protects the sleeve from any harmful radiations and in the case of its rupture the closed body prevents the media spillage. Suitable for high pressure applications.



**Advantage:**

- Open frame pinch valve is a cost-effective solution for low pressure applications.





SI no	Part	Material
1	Body	Cast iron, Aluminum, ASTM A216 Gr. WCB
2	Sleeve	EPDM, Natural rubber
3	Stem	Carbon steel, Stainless steel
4	Hand wheel	Cast iron, Malleable iron

Dimensions (PN10)							
Size	L		D	D1	d	H	Z-Ø
	CI/WCB	Aluminum					
40	140	180	150	110	38	147	4-18
50	195	210	165	125	50	162	4-18
65	230	250	185	145	65	195	4-18
80	285	305	200	160	80	237	8-18
100	365	345	220	180	96	288	8-18
125	440	430	250	210	120	293	8-18
150	500	505	285	240	145	447	8-22
200	540	650	340	295	195	475	12-22
250	630	820	405	355	245	544	12-26
300	730	980	460	410	295	595	12-26
350	890	1100	520	470	345	700	16-26
400	1090	1220	580	525	395	760	16-30
450	1120	1340	640	585	445	820	20-30
500	1240	1450	715	650	495	870	20-33
600	1450	1670	840	770	595	1000	20-36
700	1650	1910	860	810	695	1100	24-36





**LVSA**  
GROUP (PTY) LTD

**BALL VALVE**  
Proudly Manufactured in South Africa

A detailed view of a ball valve with a red handle and a smaller inset image showing the internal ball mechanism.



**LVSA**  
GROUP (PTY) LTD

**BUTTERFLY VALVE**  
SPHERICALLY PROFILED DISC  
Proudly Manufactured in South Africa

A large blue butterfly valve with a circular flange and a smaller inset image showing the valve handle.



**LVSA**  
GROUP (PTY) LTD

**DIAPHRAGM VALVE**  
Proudly Manufactured in South Africa

A black diaphragm valve with a handwheel and a smaller inset image showing the valve handle.



**LVSA**  
GROUP (PTY) LTD

**KNIFE GATE VALVE**  
Proudly Manufactured in South Africa

A green knife gate valve with a handwheel and a smaller inset image showing the valve handle.



**LVSA**  
GROUP (PTY) LTD

**SLURRY KNIFE GATE VALVE**  
Proudly Manufactured in South Africa

A blue slurry knife gate valve with a handwheel and a smaller inset image showing the valve handle.

LVSA Valves - Johannesburg

46 Kindon Road, Robertsham, Johannesburg, South Africa, 2091.  
Telephone : +27 (0) 11 680 2005  
Fax: +27 (0) 11 680 2016  
Email : sales@lvsagroup.co.za

LVSA Valves - Durban

8 Uitsig Road, Astra Park, Kingsburgh, Durban, South Africa.  
Telephone : +27 (0) 31 914 1025  
Email : kznsales@lvsagroup.co.za

LVSA Valves - Cape Town

97 Neil Hare Rd, Atlantis Industrial, Cape Town, 7349, South Africa  
Telephone: +27 21 534 2451  
Email : ctsales@lvsagroup.co.za

LVSA Limitada - Mozambique

Avenida Unido Africana numero 759, armazém 7,  
Matola - Mozambique  
Telephone: +258 83 911 1111  
Email : info@lvsaco.mz

[www.lvsagroup.co.za](http://www.lvsagroup.co.za)